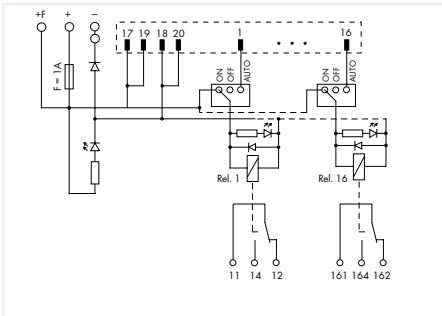


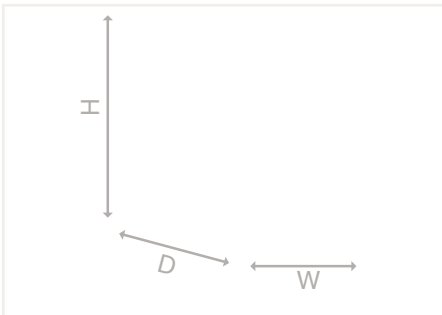
Interface Module for System Wiring

704 Series



Interface Module for System Wiring;
DIN 41651 connector; Male connector; 20-pole;
16-channel relay output; 1 changeover contact;
1 x cut-out; Triple-deck PCB terminal blocks;
with manual operation; with mounting carrier

Item No.	Pack. Unit
704-5044	1



Electrical Data	
Inputs/Outputs	16-channel relay output
Nominal operating voltage	24 VDC
Operating voltage range	±10 %
Number of changeover/switchover contacts	1
Limiting continuous current	5 A
Switching voltage (max.)	250 VAC; 48 VDC
Switching power (resistive) max.	1250 VA (AC)/50 W (DC)
Mechanical life (NO; resistive load; 23 °C)	10 x 10 ⁶ switching operations
Status indicator	Green LED (channel); Yellow LED (power supply)
Internal fuse	Supply: 1 A; Relay output: -
Specialty functions	Manual operation

Safety and Protection	
Pollution degree	2
Dielectric strength, control/load circuit (AC, 1 min)	4 kV _{rms}
Dielectric strength, load/load circuit (AC, 1 min)	1 kV _{rms}

Connection Data	
Connection type 1	System
Pole number 1	20
Connector 1	DIN 41651 male connector
Mating direction 1	Vertical
Connection type 2	Field
Pole number 2	48
Design 2	PCB terminal blocks; triple-deck
Connection technology 2	CAGE CLAMP®
Solid conductor 2	0.08 ... 2.5 mm ² / 28 ... 12 AWG
Fine-stranded conductor 2	0.08 ... 2.5 mm ² / 28 ... 12 AWG
Strip length 2	5 ... 6 mm / 0.2 ... 0.24 inch
Connection type 3	Power supply
Pole number 3	4
Design 3	PCB terminal blocks
Connection technology 3	CAGE CLAMP®
Solid conductor 3	0.08 ... 2.5 mm ² / 28 ... 12 AWG
Fine-stranded conductor 3	0.08 ... 2.5 mm ² / 28 ... 12 AWG
Strip length 3	5 ... 6 mm / 0.2 ... 0.24 inch

Physical Data	
Width	111 mm / 4.37 inch
Height from upper-edge of DIN-rail	65 mm / 2.559 inch
Depth	105 mm / 4.134 inch

Mechanical Data	
Mounting type	DIN-35 rail
Housing design	Mounting carrier

Material Data	
Contact material (relay)	AgNi 90/10
Weight	319 g

Environmental Requirements	
Surrounding air temperature (operation)	-25 ... +40 °C
Surrounding air temperature (storage)	-40 ... +70 °C
Relative humidity	≤ 85 % (non-condensing)

Accessories



Basic Relay; 1 changeover contact; 24 VDC;
Limiting continuous current: 6 A; 5 mm wide;
15 mm high

Item No.	Pack. Unit
857-152	20